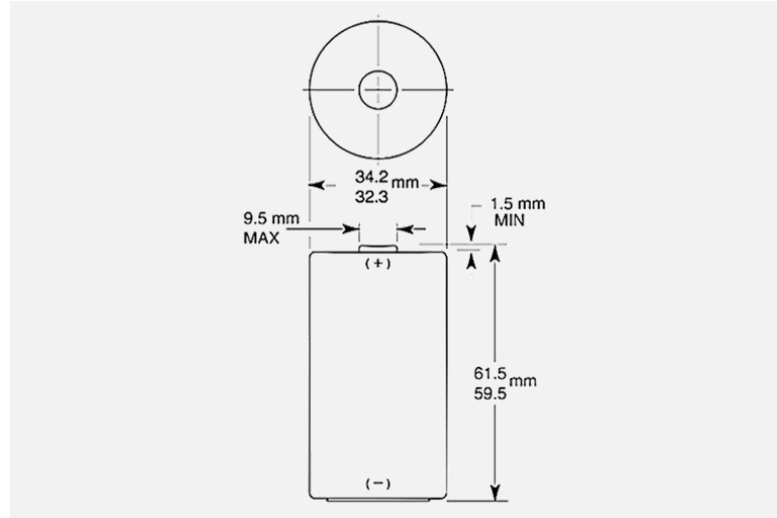


**ALKALINE-MANGANESE DIOXIDE BATTERY**



Size: D (LR20) PX1300



Dimensions shown are IEC standards

**KEY FEATURES**

- Reliable Performance
- Excellent resistance to corrosion
- Designed to meet all major quality, safety and environmental standards:
  - Safety: IEC 60086-5
  - ANSI C 18.1M, Part-2
  - EU Battery Directive
  - Quality: ISO 14001 and 9001, Duracell World Class Continuous Improvement Program

**TYPICAL APPLICATIONS**

- Sanitizer Dispensers
- Automatic Odorizers
- Paper Towel Dispensers
- Flashlights
- Soap Dispensers

**ELECTRICAL CHARACTERISTICS**

- Nominal capacity (25 mA Cont., .8V cut-off) 18,600 mAh
- Typical Voltage (at + 20 °C) 1.5 V
- AC Impedance @ 1kHz 56 mΩ

**PHYSICAL CHARACTERISTICS**

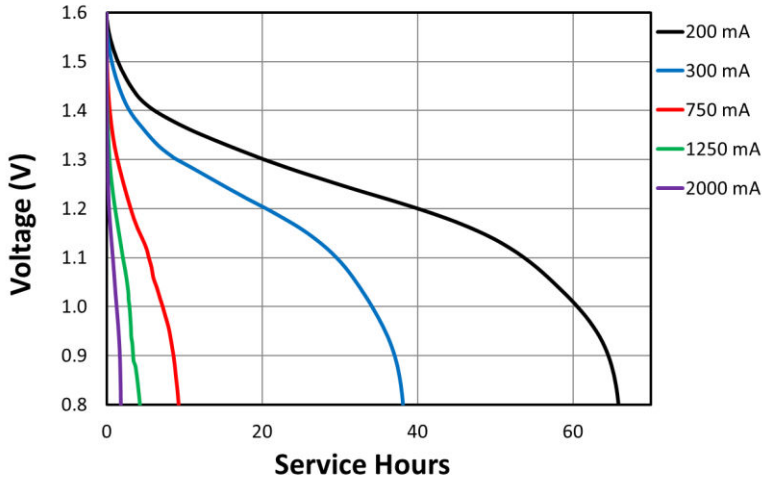
- Typical weight 140.0 g (5 oz)
- Typical volume 56.4 cm<sup>3</sup> (3.4 in<sup>3</sup>)
- Terminals Flat

**OPERATING & STORAGE CONDITIONS**

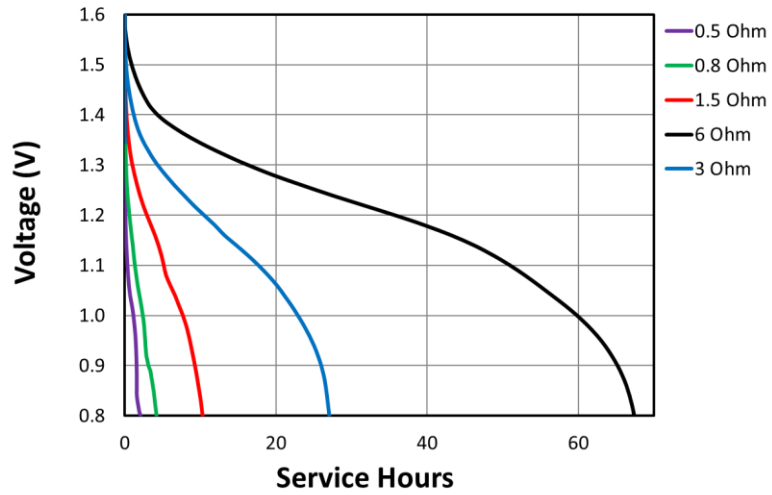
- Operating temperature range -20°C to 54°C (-4°F to 130°F)
- Recommended Storage (storage area should be clean, cool, dry and ventilated) 5°C to 30°C (41°F to 86°F)

TYPICAL PERFORMANCE

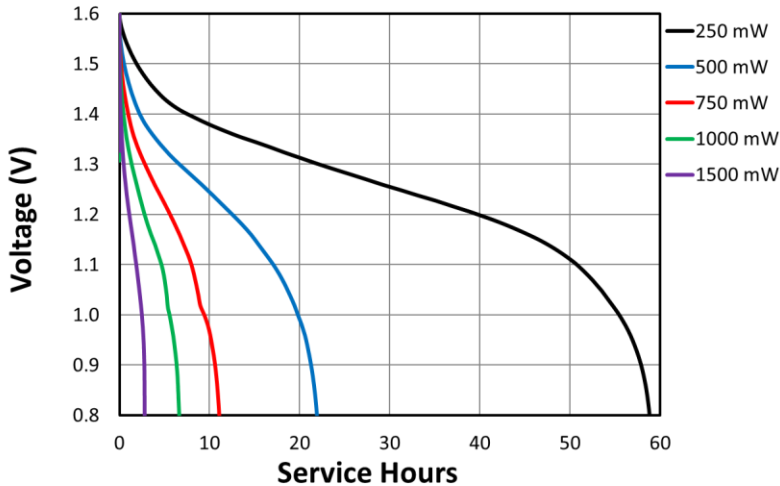
Constant Current



Constant Resistance



Constant Power



Constant Current - 200 mA

