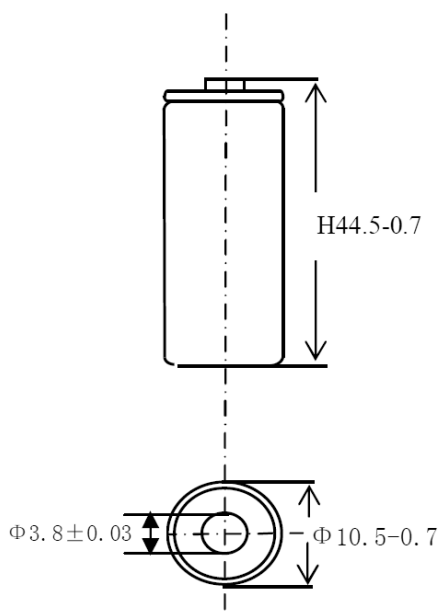




'Pro Alkaline' High Performance Battery LR03 AAA



Designation IEC:	LR03
Nominal voltage:	1.5 V
Designed capacity:	1250 mAh (discharge with high resistance)
Shelf life:	10 years
Weight:	11 g
Dimensions (max):	44.5 x 10.5 mm
Temperature ranges:	long-term storage: -10..35°C application/discharge: -20..50°C
Approved standards:	GB/T 8897.2-2013, GB 8897.5-2013, GB8897.5:IEC 60086-1:2011, IEC 60086-2:2011, IEC 60086-3:2011, IEC 60086-5:2011

Typical service output (new battery, at 20°C):

Load	Conditions	End Voltage	Time
75Ω	4 h/d	0.9V	76 h
10Ω	24 h/d	0.8V	9 h 20 min.
3.9Ω	24 h/d	0.8V	2 h 40 min.
5.1Ω	1 h/d	0.8V	4 h 45 min.